

# piSOFTGRIP® 50-2

## SG.S52DS70.SDS70.F.G18M.00



- ▶ Cost effective, vacuum-driven soft gripping solution.
- ▶ Comes with two or three “silicone fingers” depending on model.
- ▶ Suitable for sensitive and lightweight objects of odd geometries and/or an unusual surface.
- ▶ Sealed vacuum cavity, making it dust safe.
- ▶ Quick start up - as easy to control and install as a suction cup. Pinch force adjusted by vacuum level.
- ▶ Adding little extra weight to application.
- ▶ Small size, perfect for multi-mode applications.
- ▶ The silicone material is detectable and approved for direct contact with food (in accordance with FDA 21 CFR and EU 1935/2004 regulations).
- ▶ Resistant to high and low temperatures.
- ▶ Compliant with regular Piab piGRIP® fittings.

### Pinch force (object diameter 35mm)

Description	5,9 -inHg	11,8 -inHg	17,7 -inHg
Pinch forces	0.18 lbf	0.38 lbf	0.54 lbf

### Technical data

Description	Unit	Value
Recommended maximum object size	in	2.11
Recommended maximum payload	oz	5.29
Number of fingers	-	2
Recommended vacuum level	-inHg	4.4-17.7
Weight	oz	1.52
Internal volume	in <sup>3</sup>	1.17

### Material specification

Description	Material	Colour	Temperature range	ShoreA	Detectable
Claw	Silicone	Blue	-40-200 °F	70°	Yes
Support	TPE	Transparent	-20-60/100* °F	80°	No
Fitting	Al, NBR	Black	-20-90 °F	-	No

\*Max. temperature short term contact, <10 seconds and 50% intermittence, ambient temperature 15-30° C [59-86°F], mechanical properties will start to degrade.

### Fitting specification

Description	Value
Fitting size	1/8"
Fitting style	Male
Fitting type	G-Thread
Fitting option	No Option

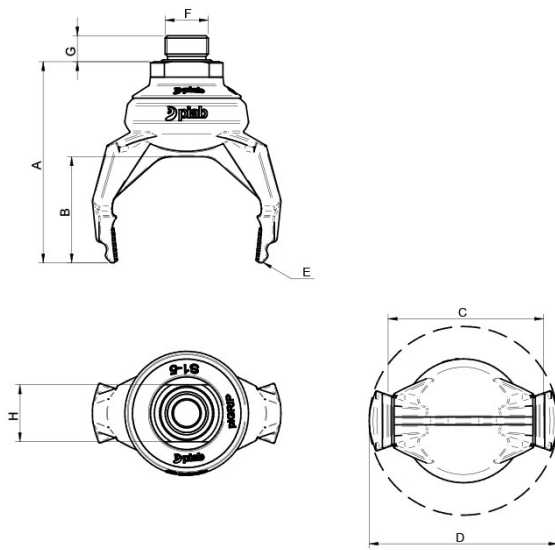
### Material resistance – Silicone, SIL

Description	Value
Alcohol	Good
Concentrated Acids	Poor
Ethanol	N/A
Hydrolysis	Good
Methanol	N/A
Oil	Fair
Oxidation	Excellent
Petrol	Fair
Wear Resistance	Excellent
Weather & Ozone	Excellent

### Values specified in data sheet are tested at:

- Room temperature (20°C [68°F] ± 3°C [5.5°F]).
- Standard atmosphere (101.3 [29.9 inHg] ± 1.0 kPa [0.3 inHg]).
- Relative humidity 20-70%.
- Compressed air quality, DIN ISO 8573-1 class 4.

### Dimensional drawing



Product code	Description	Unit	Value
A	Building height (including fitting)	mm [inch]	76.7 [3.02]
B	Depth	mm [inch]	41 [1.61]
C	Inner diameter	mm [inch]	53,6 [2.11]
D	Max diameter of softgripper	mm [inch]	73 [2.87]
E	Number of fingers	-	2
F	Thread	-	G1/8"
G	Thread/insert length	mm [inch]	6 [0.24]
H	Key grip	mm	SW 17

### Ordering information

Description	Product code
piSOFTGRIP®, Solid, size 50 mm, 2 fingers, Detectable Silicone 70° Shore A, Short, Detectable Silicone 70° Shore A, G-Thread, 1/8", Male, No Option	SG.S52DS70.SDS70.F.G18M.00

### Ordering information, spare parts

Description	Art. No
piSOFTGRIP 5-2 DS	0231193

QR code link to mounting instructions.

